

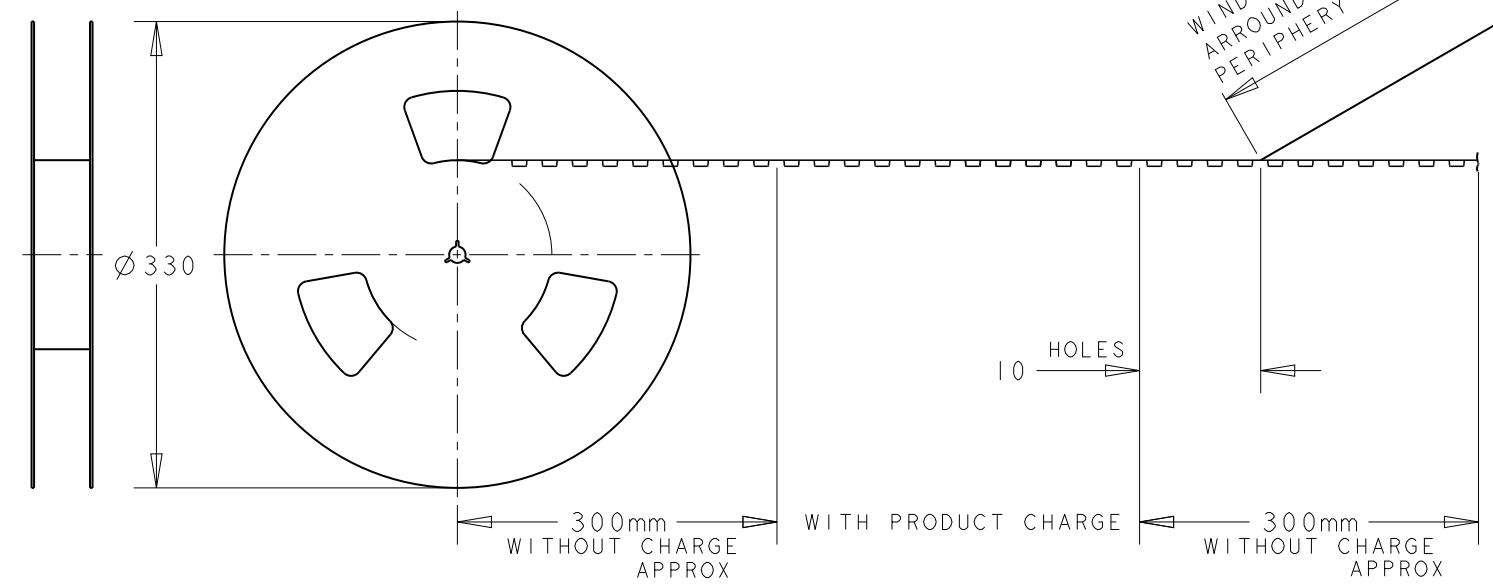
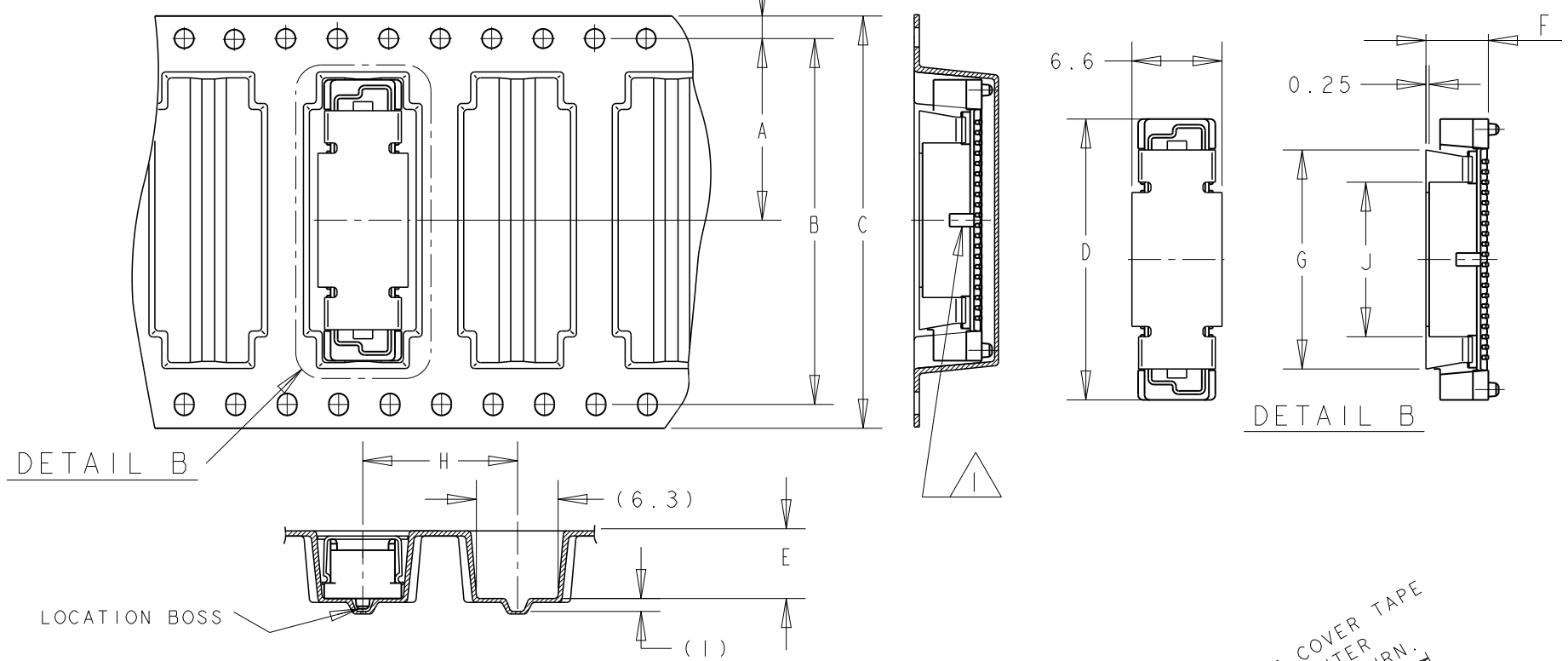
Notes:

1 CUTOUT FEATURE AVAILABLE ONLY ON 5H ASSY P/N -1 (40P) AND -2 (60P).

2 0.00038 MIN GOLD PLATING (15u INCHES GOLD PLATING)

DIRECTION OFF TOP OF REEL →

0.00076 MIN GOLD PLATING (30u INCHES GOLD PLATING)	450									61.8	88	84.4	42.2	140	1-	-6	7-	-6	
										53.8				120	1-	-5	7-	-5	
										45.8	72	68.4	34.2	100	1-	-4	7-	-4	
										37.8	56	52.4	26.2	80	1-	-3	7-	-3	
	700	7H	12		6.85	7.25	21.8	32	28.4	14.2	40			40	1-5179030-1			7-5177986-1	
0.00002 MIN GOLD PLATING (7.8u INCHES GOLD PLATING)	450	7H	12	16	17	6.85	7.25	53.8	72	68.4	34.2	120		3-5179030-5				4-5177986-5	



REMARKS	QTY	HEIGHT TYPE	J	H	G	F	E	D	C	B	A	POS	CONN	P/N	PART NO.
---------	-----	-------------	---	---	---	---	---	---	---	---	---	-----	------	-----	----------

THIS DRAWING IS A CONTROLLED DOCUMENT FOR AMP INCORPORATED. IT IS SUBJECT TO CHANGE AND THE CONTROLLING ENGINEERING ORGANIZATION SHOULD BE CONTACTED FOR THE LATEST REVISION.		DWN FLORENCE TAN	30AUG04	Tyco Electronics Singapore	
DIMENSIONS: mm		CHK ERIC TNG	APVD SE LEONG	NAME PLUG ASSEMBLY (0.5 BOSS LENGTH) FOR FH 0.8 B-T-B CONN. ON TAPING	
TOLERANCES UNLESS OTHERWISE SPECIFIED: 0 PLC ±0.3 1 PLC ±0.25 2 PLC ±0.2 3 PLC ±0.2 4 PLC ±0.2 ANGLES ±3°		PRODUCT SPEC 108-5390	APPLICATION SPEC 114-5254	SIZE A3	CAGE CODE 00779
MATERIAL -		FINISH -	WEIGHT -	DRAWING NO C-5177986	
CUSTOMER DRAWING				SCALE 2:1	SHEET 1 OF 1
				REV E	